

OTECO® Model 72 | CAMERON® Type 'S' FLEX-SEAL GATE VALVES & PARTS (100% Interchangeable)

2", 3" & 4" - 2000, 3000 & 5000 PSI

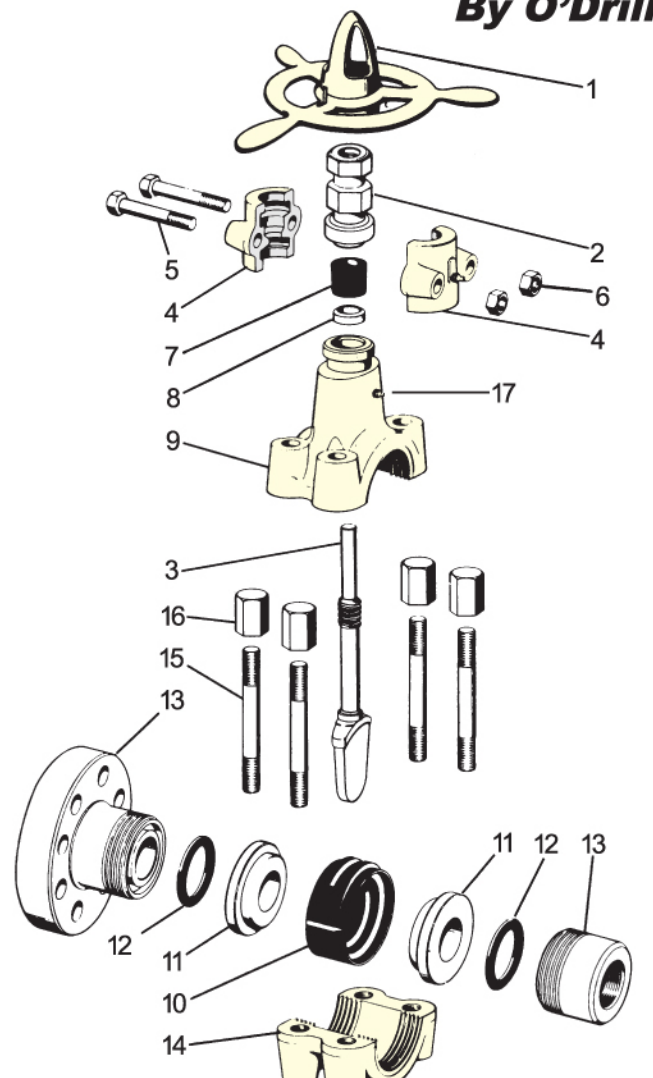
Top Quality.....Lowest Prices
GUARANTEED!!!

Cameron Part Numbers

Part Name	Qty.	2000 psi WP					
		2" Scr	2" Flg	3" Scr	3" Flg	4" Scr	4" Flg
Valve Assembly		35088-02-01-01	35088-02-03-01	35088-03-01-01	35088-03-03-01	35088-04-01-01	35088-04-03-01
1 Handwheel	1	35347-01	35347-01	35347-02	35347-02	35347-03	35347-03
2 Stem Nut	1	35346-01	35346-01	35346-02	35346-02	35346-03	35346-03
3 Gate	1	35342-01	35342-01	35342-03	35342-03	35342-05	35342-05
4 Split Bonnet Assy.	1	35341-01	35341-01	35341-02	35341-02	35341-03	35341-03
5 Studs (Incl. in item 4)	2	12672-06	12672-06	12672-07	12672-07	12672-53	12672-53
6 Nuts (Incl. in item 4)	4	5926-05	5926-05	5926-05	5926-05	5926-05	5926-05
7 Stem Packing	1	8311-06	8311-06	8311-03	8311-03	8311-01	8311-01
8 Stem Packing Ring	1	6981-07	6981-07	6981-01	6981-01	6981-05	6981-05
9 Body	1	9819	9819	9809	9809	9827	9827
10 Gate Packing	1	9828	9828	9832	9832	9834	9834
11 Wear Plate	2	35345-01	35345-01	35345-02	35345-02	35345-03	35345-03
12 O-Ring	2	18491-35	18491-35	18492-10	18492-10	18492-27	18492-27
13 Sub	2	18755-01	18919-01	18755-02	18919-02	18755-03	18919-03
14 Cap	1	18865	18865	18868	18868	18869	18869
15 Studs	4	5912-04	5912-04	5912-55	5912-55	5913-58	5913-58
16 Stud Nuts	4	18912-01	18912-01	18912-01	18912-01	18912-02	18912-02
17 Grease Fitting	2	5929-01	5929-01	5929-01	5929-01	5929-01	5929-01

Part Name	Qty.	3000 psi WP					
		2" Scr	2" Flg	3" Scr	3" Flg	4" Scr	4" Flg
Valve Assembly		35088-02-07-01	35088-02-09-01	35088-03-08-01	35088-03-10-01	35088-04-13-01	35088-04-15-01
1 Handwheel	1	35347-02	35347-02	35347-03	35347-03	35347-04	35347-04
2 Stem Nut	1	35346-02	35346-02	35346-03	35346-03	35346-04	35346-04
3 Gate	1	35342-02	35342-02	35342-04	35342-04	35342-06	35342-06
4 Split Bonnet Assy.	1	35341-02	35341-02	35341-03	35341-03	35341-04	35341-04
5 Studs (Incl. in item 4)	2	12672-07	12672-07	12672-53	12672-53	12672-65	12672-65
6 Nuts (Incl. in item 4)	4	5926-05	5926-05	5926-05	5926-05	5926-05	5926-05
7 Stem Packing	1	8311-03	8311-03	8311-01	8311-01	8311-04	8311-04
8 Stem Packing Ring	1	6981-01	6981-01	6981-05	6981-05	6981-02	6981-02
9 Body	1	8197	8197	8313	8313	8214	8214
10 Gate Packing	1	7638-01	7638-01	8980	8980	7638-02	7638-02
11 Wear Plate	2	35344-01	35344-01	35344-02	35344-02	35344-03	35344-03
12 O-Ring	2	18492-35	18492-35	18493-02	18493-02	18492-21	18492-21
13 Sub	2	17783-01	17786-01	17783-03	17786-02	17783-02	17786-04
14 Cap	1	18866	18866	18867	18867	18870	18870
15 Studs	4	5912-55	5912-55	5914-18	5914-18	5915-40	5915-40
16 Stud Nuts	4	18912-01	18912-01	18912-03	18912-03	18912-04	18912-04
17 Grease Fitting	2	5929-01	5929-01	5929-01	5929-01	5929-01	5929-01

Part Name	Qty.	5000 psi WP					
		2" Scr	2" Flg	3" Scr	3" Flg	4" Scr	4" Flg
Valve Assembly		35088-02-21-01	35088-02-23-01	35088-03-21-01	35088-03-23-01	35088-04-27-01	35088-04-29-01
1 Handwheel	1	35347-02	35347-02	35347-03	35347-03	35347-04	35347-04
2 Stem Nut	1	35346-02	35346-02	35346-03	35346-03	35346-04	35346-04
3 Gate	1	35342-02	35342-02	35342-04	35342-04	35342-06	35342-06
4 Split Bonnet Assy.	1	35341-02	35341-02	35341-03	35341-03	35341-04	35341-04
5 Studs (Incl. in item 4)	2	12672-07	12672-07	12672-53	12672-53	12672-65	12672-65
6 Nuts (Incl. in item 4)	4	5926-05	5926-05	5926-05	5926-05	5926-05	5926-05
7 Stem Packing	1	8311-03	8311-03	8311-01	8311-01	8311-04	8311-04
8 Stem Packing Ring	1	6981-01	6981-01	6981-05	6981-05	6981-02	6981-02
9 Body	1	12985	12985	12983	12983	12975	12975
10 Gate Packing	1	7638-01	7638-01	8980	8980	7638-02	7638-02
11 Wear Plate	2	35344-01	35344-01	35344-02	35344-02	35344-03	35344-03
12 O-Ring	2	18492-35	18492-35	18493-2	18493-2	18492-21	18492-21
13 Sub	2	17783-01	17786-01	17783-03	17786-07	17783-02	17786-03
14 Cap	1	18914	18914	18915	18915	18916	18916
15 Studs	4	5913-26	5913-26	5915-66	5915-66	5917-43	5917-43
16 Stud Nuts	4	18913-01	18913-01	18913-02	18913-02	18913-03	18913-03
17 Grease Fitting	2	5929-01	5929-01	5929-01	5929-01	5929-01	5929-01



OTECO® Model 72 | CAMERON® Type 'S' FLEX-SEAL GATE VALVES & PARTS (100% Interchangeable)

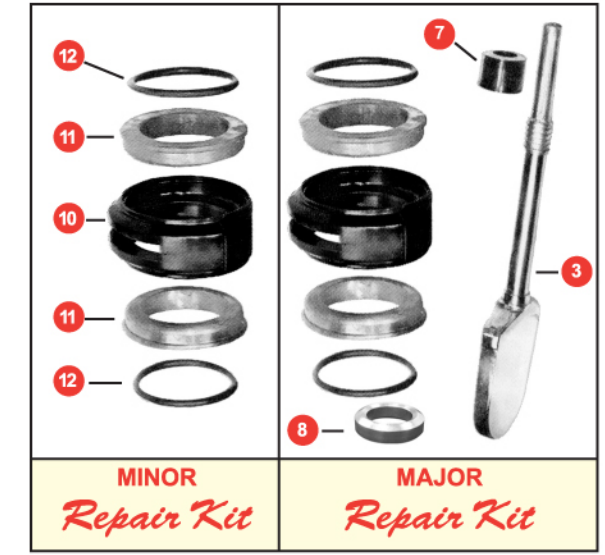
By O'Drill

O'Drill / MCM manufactures complete gate valves and replacement parts for OTECO Model 72 or 66 and Cameron Type 'S' Flex-Seal Gate Valves in the 2", 3" & 4" sizes (low and high pressures).

- * All parts come with complete material certification and traceability.
- * Please order by Part Numbers.
- * Most orders shipped the same day!

To order:
Specify a) Size
b) Pressure
c) End connections

ORDER NOW! & SAVE



VALVE P/N
WEIGHT

Oteco Part Numbers (for quick reference)

No Req'd	Part Name	2 - Inch			3 - Inch			4 - Inch			5 - Inch		
		2,000 WP V-224	3,000 WP V-236	5,000 WP V-250	2,000 WP V-324	3,000 WP V-336	5,000 WP V-350	2,000 WP V-424	3,000 WP V-436	5,000 WP V-450	2,000 WP V-524	3,000 WP V-536	5,000 WP V-550
		58.00	84.00	86.00	100.00	168.00	168.00	163.00	250.00	250.00	175.00	26.00	28.00
1	Handwheel	HW-2122	HW-3242	HW-3242	HW-3242	HW-4242	HW-4242	HW-4242	HW-4362	HW-4362	HW-4242	HW-4362	HW-4362
2	Stem Nut	SN-2242	SN-3242	SN-3242	SN-3242	SN-4242	SN-4242	SN-4242	SN-4362	SN-4362	SN-4242	SN-4362	SN-4362
3	Gate	G-224	G-236	G-236	G-324	G-336	G-336	G-424	G-436	G-436	G-424	G-436	G-436
4	Split Bonnet Assembly	SB-2122	SB-3242	SB-3242	SB-3242	SB-4242	SB-4242	SB-4242	SB-4362	SB-4362	SB-4242	SB-4362	SB-4362
5	Bonnet Bolt	BB-2242	BB-3242	BB-3242	BB-3242	BB-4242	BB-4242	BB-4242	BB-4362	BB-4362	BB-4242	BB-4362	BB-4362
6	Bonnet Nut	NB-2345	NB-2345	NB-2345	NB-2345	NB-2345	NB-2345	NB-2345	NB-2345	NB-2345	NB-2345	NB-2345	NB-2345
7	Stem Packing	S-224	S-324	S-324	S-324	S-424	S-424	S-424	S-436	S-436	S-424	S-436	S-436
8	Stem Packing Ring	SPR-224	SPR-324	SPR-324	SPR-324	SPR-424	SPR-424	SPR-424	SPR-436	SPR-436	SPR-424	SPR-436	SPR-436
9	Valve Body	VB-224	VB-236	VB-250	VB-324	VB-336	VB-350	VB-424	VB-436	VB-450	VB-424	VB-436	VB-450
10	Gate Packing	224	236	236	324	336	336	424	436	436	424	436	436
11	Wear Plate	WP-2242	WP-2362	WP-2362	WP-3242	WP-3362	WP-3362	WP-4242	WP-4362	WP-4362	WP-4242	WP-4362	WP-4362
12	O' Ring	OR-224	OR-236	OR-236	OR-324	OR-336	OR-336	OR-424	OR-436	OR-436	OR-424	OR-436	OR-436
13	Threaded Body Sub	TBS-2241	TBS-2361	TBS-2361	TBS-3241	TBS-3361	TBS-3361	TBS-4241	TBS-4361	TBS-4361	TBS-5241	TBS-5361	TBS-5361
14	Body Cap	BC-224	BC-236	BC-250	BC-324	BC-336	BC-350	BC-424	BC-436	BC-450	BC-424	BC-436	BC-450
15	Body Stud Bolt	BS-224	BS-324	BS-250	BS-324	BS-336	BS-350	BS-424	BS-436	BS-450	BS-424	BS-436	BS-450
16	Body Stud Nut	BN-224	BN-224	BN-250	BN-224	BN-336	BN-350	BN-424	BN-436	BN-450	BN-424	BN-436	BN-450

* O.E.M. Parts numbers used in this catalog are for reference only.

*OTECO and *CAMERON are registered trade marks of other companies. O'Drill Inc. is no way affiliated with these Companies. The part numbers listed above are for identification purpose only.

We Sell for Less.....!!!