

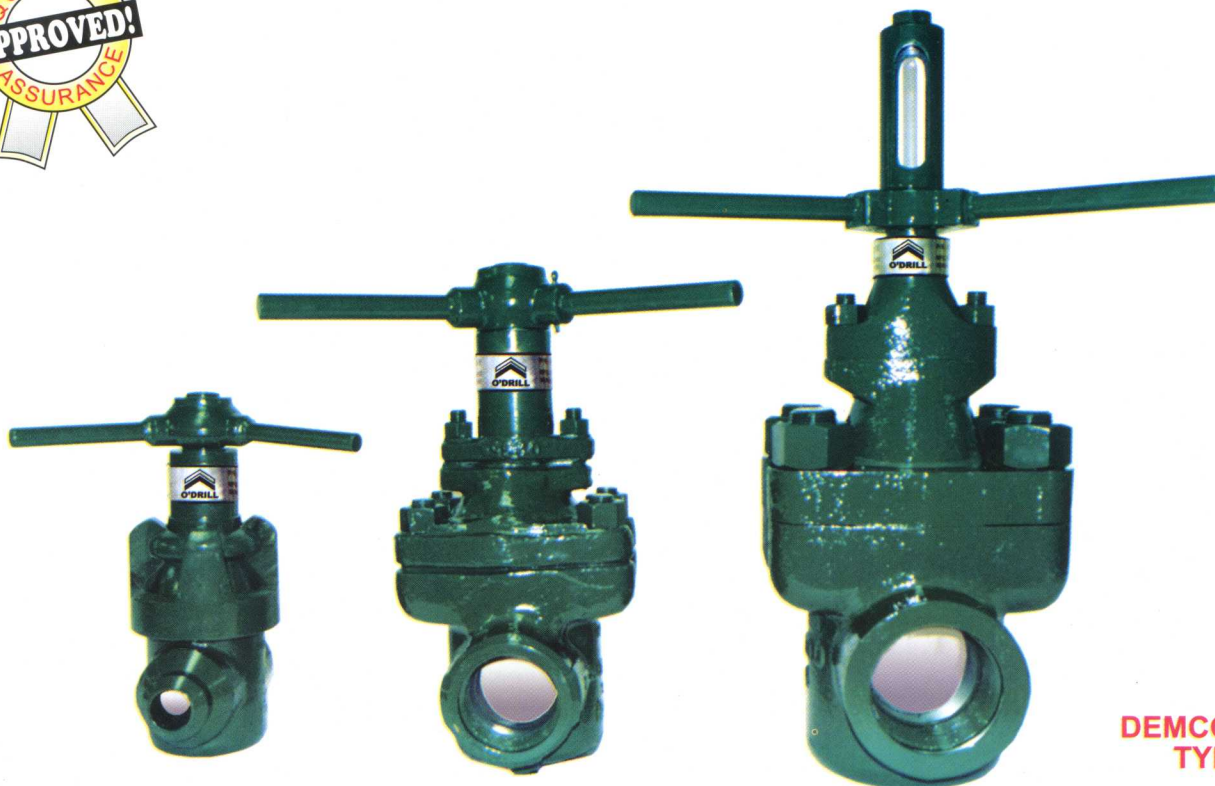
*Established  
1982*



*A Pump & Valve Mfg. Company*

*Engineered for High Performance...*

**Catalog  
DGV 2", 3" & 4"**



2"

3"

4"

**DEMCO® DM  
TYPE**

*Top Quality... Lowest Prices..... Guaranteed !!!*



**GATE VALVES**

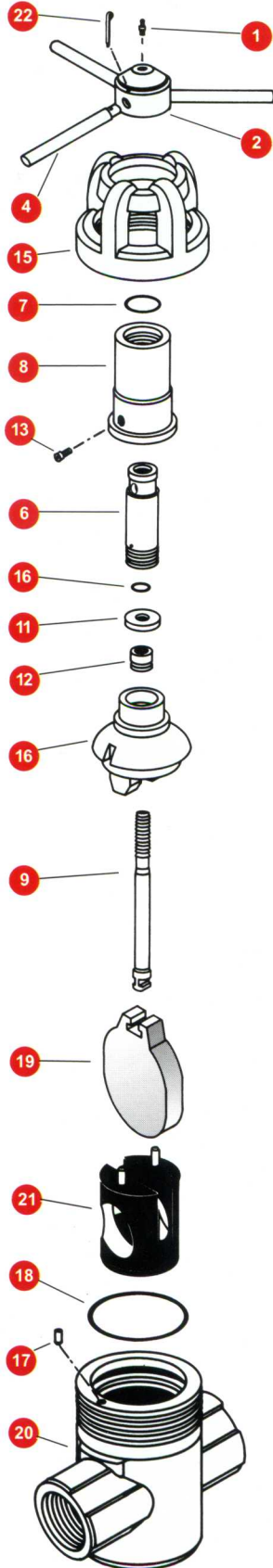


100% Interchangeable with DEMCO® DM TYPE

✓ *out our quality...  
Compare our Prices!!!*

# O'DRILL (Demco® DMC Type)

100% Interchangeable  
**VALVES & PARTS**



2"

2" - 2000, 3000 & 5000 W.P.			2000 WP	3000 WP	5000 WP
REF.	Description	SIZE	WT.	2"	2"
1	<b>LUBE FITTING</b> Steel		.1#	5195	
2	<b>HUB ASSEMBLY</b> Steel		5#	14687	
4	<b>LOCK HANDLE</b> Steel		1#	1891	
6	<b>STEM SCREW</b> Steel		3#	1913	
7	<b>STEM SCREW SEAL</b> Buna N		.1#	5530 - 224	
8	<b>SCREW HOUSING</b> Steel		4#	1848	
9	<b>STEM</b> 303 SS 316 SS		1#	1931 - 002 1931 - 008	
10	<b>SECONDARY SEAL</b> Buna N		.1#	5530 - 210	
11	<b>RETAINER</b> Steel		1#	1940	
12	<b>STEM SEAL ASSEMBLY</b> (Includes Bronze Bushing) Buna N Viton		.1#	1949 - 001 1949 - 006	
13	<b>LOCK SCREW</b> Steel		.1#	5665 - 22004	
15	<b>COUPLING</b> WCB Steel		16#	1446 - 020	1445 - 030
16	<b>BONNET</b> ANSI 1029 Steel Uncoated Coated		7#	1237 - 020 1237 - 021	
17	<b>INDEX PIN</b> Steel		.1#	1981	
18	<b>BONNET SEAL</b> Buna N Viton		.1#	5530 - 342 5531 - 342	
19	<b>GATE</b> Steel, Nickel Plated 316 SS		3#	1887 - 002 1887 - 008	
20	<b>BODY, UNCOATED</b> Steel <b>SCREWED-API - LP FULL PORT WELD</b>		29#	1285 - 020	1271 - 030
		-SCH. 80	29#	1307 - 120	1309 - 130
		-SCH. XXH		1307 - 220	1309 - 230
		-SCH. 160		1307 - 520	1309 - 530
	<b>FLANGED - RTJ</b>		73#	2039 - 120	1510 - 230
21	<b>SEAT</b>				
	Ductile Iron	- Buna N	1.5#	1876 - 011	1876 - 011
		- Viton		1876 - 012	1876 - 012
	STEEL	- Buna N	1.5#	1876 - 021	1876 - 021
		- Viton		1876 - 022	1876 - 022
	316 SS	- Buna N	1.5#	1876 - 081	1876 - 081
		- Viton		1876 - 082	1876 - 082
22	<b>PIN, LOCK HANDLE</b> Steel		1#	5420 - 18728	
★	<b>REPAIR KIT 2" - 6 PCS.</b> 1Ea - Ref. 7,10, 12, 18, 19, 21		6 #	P/N: DGV-25 KRK	

DISCLAIMER: DEMCO IS A REGISTERED TRADE MARK OF ANOTHER COMPANY. O'DRILL / MCM, INC. IS NO WAY AFFILIATED WITH THIS COMPANY. THE PART NUMBERS LISTED ABOVE ARE FOR IDENTIFICATION PURPOSE ONLY.

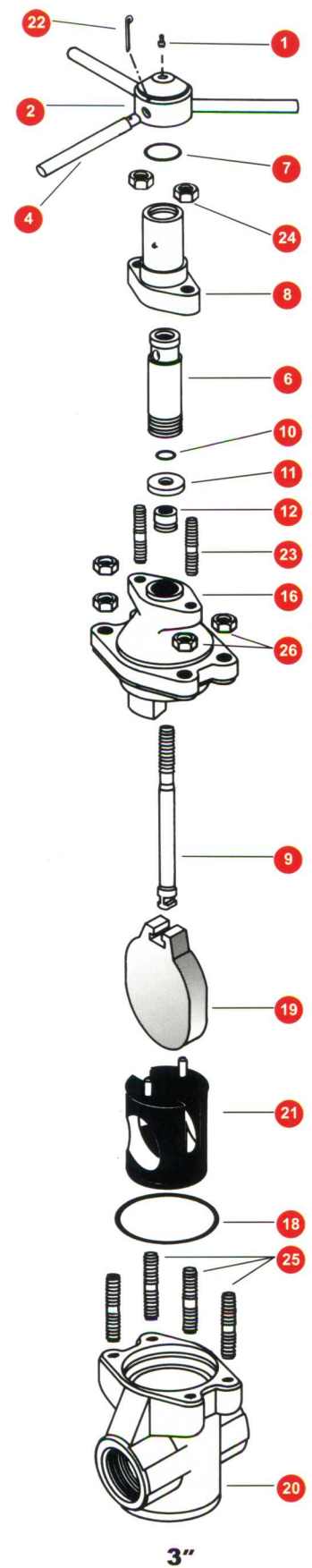
To order: Specify a) Size b) Pressure c) End connections

*We Sell for Less..... !!!*

# O'DRILL (Demco® DM Type) 100% Interchangeable VALVES & PARTS



3" - 3000 & 5000 W.P. / 4" - 3000 W.P.			3000 WP 4" X 3"	5000 WP 4" X 3"	3000 WP 5 X 4"	
REF.	Description	SIZE	WT.	3"	3"	4"
1	<b>LUBE FITTING</b> Steel		.1#	5195	5195	5195
2	<b>HUB ASSEMBLY</b> Steel		10#	14688	14688	14689
4	<b>LOCK HANDLE</b> Steel		1#	1892	1892	1897
6	<b>STEM SCREW</b> Steel		1#	1914 - 003	1914 - 003	1915
7	<b>STEM SCREW SEAL</b> Buna N		.1#	5530 - 226	5530 - 226	5530 - 227
8	<b>SCREW HOUSING</b> Steel		6#	1852	1852	1958
9	<b>STEM</b> 303 SS 316 SS		1# 1#	1932-002 1932-008	1932-002 1932-008	1933-002 1933-008
10	<b>SECONDARY SEAL</b> Buna N		.1#	5530 - 212	5530 - 212	5530 - 214
11	<b>RETAINER</b> Steel		1#	1941	1941	1942
12	<b>STEM SEAL ASSEMBLY</b> (Includes Bronze Bushing) Buna N Viton		.2#	1950 - 001 1950 - 006	1950 - 001 1950 - 006	1951 - 001 1951 - 006
16	<b>BONNET</b> A148 Steel Uncoated Coated		40# 45#	1976 - 030 1976 - 031	1980 - 030 1980 - 031	1977 - 030 1977 - 031
18	<b>BONNET SEAL</b> Buna N Viton		.1#	5530-433 5531-433	5530-433 5531-433	5530-439 5531-439
19	<b>GATE</b> Steel Nickel Plated 316 SS		.1# 9#	1886 - 002 1886 - 008	1886 - 002 1886 - 008	1926 - 002 1926 - 008
20	<b>BODY, UNCOATED, Steel</b> <b>SCREWED-API LP - FULL PORT</b>		71#	1281 - 030	1987 - 030	1855 - 030
	<b>WELD - FULL PORT</b>					
	- SCH .80		80#	1767 - 130	1266 - 130	1014 - 130
	- SCH. XXH			1767 - 230	1266 - 230	1014 - 230
	- SCH. 160			1767 - 530	1266 - 530	1014 - 530
	<b>FLANGED-RTJ</b>		146#	1455 - 130	1511 - 230	1451 - 130
	<b>WELD - REG. PORT</b>					
	- SCH .80		80#	1282 - 130	1267 - 130	1009 - 130
	- SCH. XXH			1282 - 230	1267 - 230	1009 - 230
	- SCH. 160			1282 - 530	1267 - 530	1009 - 530
21	<b>SEAT</b> Ductile Iron	- Buna N - Viton	4# 8#	1878 - 011 1878 - 012	1878 - 011 1878 - 012	2207 - 011 2207 - 012
	Steel	- Buna N - Viton	4# 8#	1878 - 021 1878 - 022	1878 - 021 1878 - 022	2207 - 021 2207 - 022
	316 SS	- Buna N - Viton	4# 8#	1878 - 081 1878 - 082	1878 - 081 1878 - 082	2207 - 081 2207 - 082
22	<b>PIN, LOCK HANDLE</b> Steel		.1#	5420-18732	5420-18732	5420-18732
23	<b>BONNET STUD (2 REQUIRED)</b> A193 B7 Steel		1#	2066	2066	2072
24	<b>BODY STUD NUT (2 REQUIRED)</b> Carbon Steel A194 2 H		.6#	53251- 034	53251- 034	53251- 036
25	<b>BODY STUD (4 REQUIRED)</b> A 193 B7 Steel		2#	2074	32076	2075
26	<b>BODY STUD NUT (4 REQUIRED)</b> Carbon Steel A194 2H		.5#	53251 - 038	53251 - 144	53251 - 042
★	<b>REPAIR KITS 3" &amp; 4" - 6 PCS.</b> 1 Ea - Ref. 7, 10, 12, 18, 19, 21		18#	3" P/N: DGV-35 KRK 4" P/N: DGV-43 KRK (Low Pressure)		



**Testing:** O'DRILL GATE VALVES ARE HYDROSTATICALLY TESTED AFTER ASSEMBLY. THE BODY, STEM SEAL AND SEAT ARE INSPECTED FOR ZERO LEAKAGE UNDER PRESSURE BEFORE SHIPMENT.

**Rubber Properties:** \* **BUNA-N** : IS THE BASIC SEAT ELASTOMER, EXCELLENT FOR PETROLEUM (Nitrile) OILS AND GASES.  
\* **VITON** : IS HIGHLY RESISTANT TO MINERAL ACIDS AND HYDROCARBONS, GOOD FOR HIGH TEMPERATURE SERVICE (-10° F to 400° F)

TOLL-FREE

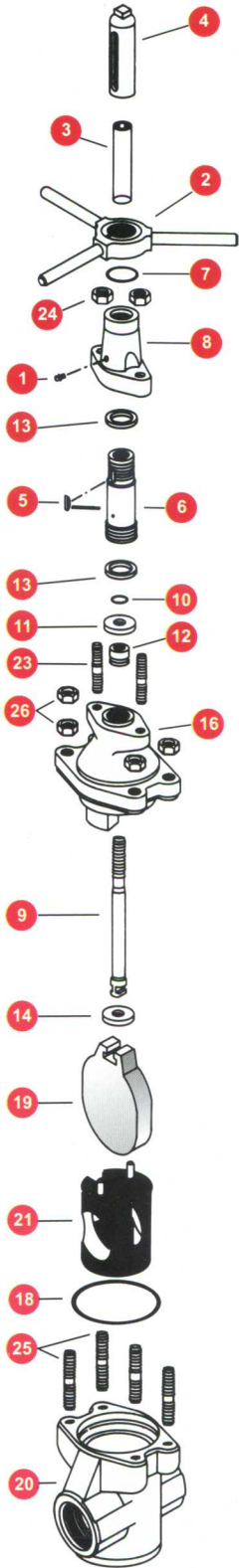
★ TEL: (713) 541-2020 • FAX (713) 541-9090 • 1 • 800 • 255-6263 ★



# O'DRILL (Demco® DM Type) VALVES & PARTS

4", 5" x 4" & 6" x 4" - 5000 W.P.

REF.	4" - 5000# WP Description	WT.	5" x 4" 6" x 4"	REF.	4" - 5000# WP Description	WT.	5" x 4" 6" x 4"
1	<b>LUBE FITTING</b> Steel	.1#	5195	19	<b>GATE</b> Steel, Nickel Plated 316 SS	9#	1926 - 002 1926 - 008
2	<b>HANDLE ASSEMBLY</b> Steel	11#	7414	20	<b>BODY *, UNCOATED</b> Steel <b>SCREWED - API LP</b> FULL PORT	120#	1246 - 030
3	<b>ACT TUBE</b> Acrylic	1#	7459		<b>WELD - FULL PORT 4"</b>	120#	1288 - 130 1288 - 230 1288 - 530
4	<b>STEM CAP</b> Ductile Iron	3#	7411		- SCH. 80 - SCH. XXH - SCH. 160		
5	<b>KEY</b> Steel	.1#	5305-10016		FLANGED-RTJ	260#	17288 - 230
6	<b>STEM SCREW</b> Steel	4#	7416		<b>WELD - REG. PORT- 5" x 4"</b>	116#	
7	<b>STEM SCREW SEAL</b> Buna N	.1#	5530 - 226		- SCH. 80 - SCH. XXH - SCH. 160		1249 - 130 1249 - 230 1249 - 530
8	<b>SCREW HOUSING</b> Steel	9#	7418		<b>WELD REG. PORT- 6" x 4"</b>	114#	17287 - 130 17287 - 230 17287 - 530
9	<b>STEM</b> 303 SS 316 SS	3# 3#	7439 - 002 7439 - 008	21	<b>SEAT</b> Steel - Buna N - Viton 316 SS - Buna N - Viton	6# 6#	2207 - 021 2207 - 022 2207 - 081 2207 - 082
10	<b>SECONDARY SEAL</b> Buna N	.1#	5530 - 214	23	<b>BONNET STUD (2)</b> A 193 B7 Steel	1#	2072
11	<b>RETAINER</b> Steel	1#	7413	24	<b>BONNET STUD NUT (2)</b> Carbon Steel A 194 2H	1#	53251 - 036
12	<b>STEM SEAL ASSEMBLY</b> (Includes Bronze Bushing) Buna N Viton	.2#	1951 - 001 1951 - 006	25	<b>BODY STUD (4)</b> AISI 4140 HT Steel	5#	2077
13	<b>BEARING (2)</b> Teflon/ Phenolic	.1#	7426	26	<b>BODY STUD NUT (4)</b> Carbon Steel AISI 414004145	2#	15432
14	<b>DOWN STOP RING</b> 303 SS	1#	7417		<b>BONNET ASSEMBLY</b> With Gate	102#	1890
16	<b>BONNET-A 148 STEEL</b> Uncoated Coated	62#	7419- 030	<small>* Replacements bodies must include 4 Body Studs. CAUTION: Test valve assembly including replacement body before use. Failure to do so may result in leakage and /or personal injury or property damage.</small>			
18	<b>BONNET SEAL</b> Buna N Viton	.1# .1#	5537- 361 5531- 361	<b>★ REPAIR KIT for 4" - 5000 PSI</b> 1 Ea. Ref 7, 10, 12, 18, 19, 21		<b>6 PCS</b> Weight: 18 Lbs.	<b>P/N: DGV - 45KRK</b>



4" & 5"

**Warranty:**

O'Drill / MCM, Inc. warrants its Drilling Equipment Products to be free from defects in material and workmanship under normal use and service for a period of one (1) year from date of purchase. The liability for any such defects shall be limited to the repair or replacement of such drilling equipment products, or if agreed upon, refund of the purchase price in exchange for the product.

*If You want to economize.....O' Drillize !!!*

★ Corporate Office: ★



11625 FAIRMONT LANE • HOUSTON, TEXAS 77035

★ TEL: (713) 541-2020 • FAX (713) 541-9090 • 1-800-255-6263 ★

E-mail: odrillmcm@aol.com